

Photo Card Printing

Direct to card printer

DNP
Photo Imaging

Photo Card Printing now possible with Snaplab+

Photo Card Printing is a new way to increase your revenue by proposing a larger product portfolio on-site. Snaplab+ software provided in DT-T6mini order terminal and SL620 II photo kiosk makes photo card conception fast and easy thanks to integrated templates. Photo Cards offer durable printing such as wallet size photos, personalized gift cards or badges.

DNP has selected the Fargo® DTC1250e, a dual-sided photo card printer providing maximum efficiency on-site, cost-effectiveness and low maintenance.

Print long-lasting fun!



COMPACT DESIGN

INTUITIVE SOFTWARE

LONG LASTING MEDIA

INSTANT PRINTING

DIRECT TRANSFER

EDGE-TO-EDGE PRINTING

HIGH-QUALITY OUTPUT

DUAL SIDED

Photo Card Printer : not contractual picture.

DO IT YOUR WAY WITH SNAPLAB+ SOFTWARE

Many customisation options:

- ▶ **Frames** (Birth, Romantic, Wedding, Birthday, Souvenirs, etc.)
- ▶ **Themes** (Business, Events, School, Sports, Funeral, etc.)
- ▶ **Personal** (import your own graphics)

Photo Card available on Snaplab+ 3.3 (simple update)



SUITABLE FOR MANY APPLICATIONS

- ▶ Badges
- ▶ Membership cards
- ▶ Loyalty cards
- ▶ Gift cards
- ▶ Business cards
- ▶ Wallet-size photos

PRINT HIGH QUALITY CARDS

Provide additional service and increase your income with low investment

Long lasting and resistant media

- ▶ Vibrant printing colors
- ▶ Convenient credit card size
(ID-1 format 85,6 x 53,9 mm)

Customize cards:

- ▶ Single or dual sided
- ▶ Horizontal or vertical

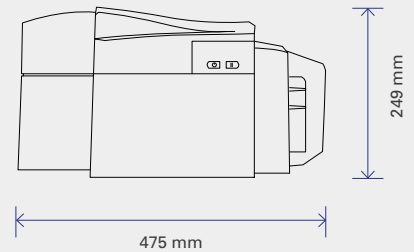


SPECIFICATIONS

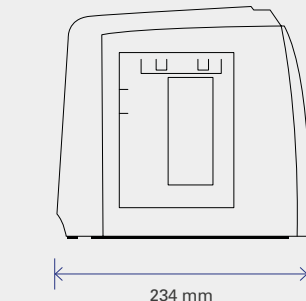
Print method	Dye-sublimation / colors up to 16.7 million
Resolution	300 dpi (continuous tone)
Card sizes	CR-80: 3.375" (L) x 2.125" (W) 85,6 mm (L) x 54 mm (W)
Print area	CR-80 edge-to-edge: 3.36" (L) x 2.11" (W) 85,3 mm (L) x 53,7 mm (W)
Card thickness	.009" - .040" / 9 mil - 40 mil / .229 mm - 1.016 mm DNP recommends 30 mil
Card types	PVC or polyester cards with polished PVC finish; monochrome resin required for 100% polyester cards.
Input hopper capacity	100 cards (.030" / .762 mm)
Output hopper capacity	Dual-sided: up to 30 cards.
Card cleaning	Card cleaning roller integrated into ribbon cartridge; cleaning roller is automatically replaced with each ribbon change
Memory	32 MB RAM
Software drivers	Windows (all versions from XP), Server 2003, 2008, 2012 Mac OS X (all versions from 10.5) and Linux
Interface	USB 2.0, optional Ethernet with internal print server
Operating conditions	Temperature: 65° to 80° F / 18° to 27° C Humidity: 20–80% non-condensing
Dimensions	Dual-sided printer: 249 mm (H) x 475 mm (W) x 234 mm (D)
Weight	Dual-sided: 10 lbs / 4.54 Kg
Power supply	100-240V AC, 50-60Hz, 1.6 A max

TECHNICAL DRAWING

Front



Side



DNP PHOTO IMAGING EUROPE

22, Avenue des Nations
Raphaël Building
CS 51077 Villepinte
95958 ROISSY C.D.G. Cedex
FRANCE

Tel. +33 (0)1 49 38 65 50
Fax. +33 (0)1 49 89 00 81
www.dnpphoto.eu