

# ID+

Photo ID system

**DNP**  
Photo Imaging

## ID photos on the fly!

The ID+ photo system swiftly and easily produces all kinds of ID photos, in compliance with EU requirements. It is composed of DNP's dye sublimation ID 600 Photo Printer and a touchscreen tablet with an integrated camera, embedded with ID+ software. Biometric functions automatically adjust the photo to correctly meet specifications right from the start. The dedicated ID Media has a specific backprint 'ID Photo Paper'. The compact solution requires little space and can easily fit on any table top. ID Photos have never been so simple!



**BIOMETRIC SOFTWARE**

**COUNTRY SPECIFIC  
ID TEMPLATES**

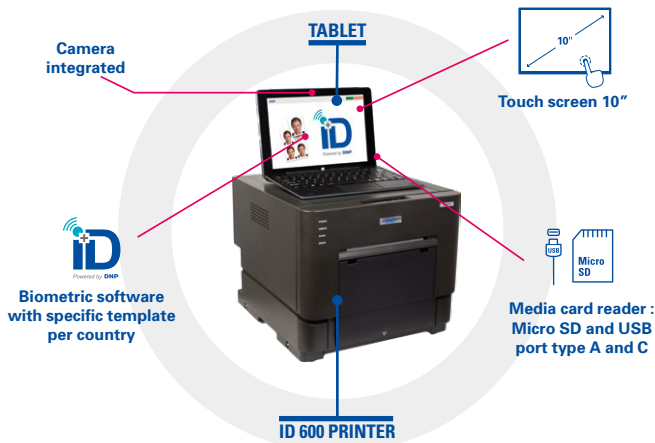
**EASY TO USE**

**COMPACT DESIGN**

**HIGH PRINT QUALITY**

## HIGH QUALITY, EU COMPLIANT ID PHOTOS

► Technology concentrate



## SAVE TIME AND AVOID ERRORS

- Automatized software, no need for manual adjustments!
- Possible manual correction to adjust color, luminosity and contrast.
- Change template without taking another picture.
- Check, reprint or delete orders via the history function.

## EXCLUSIVE FEATURES

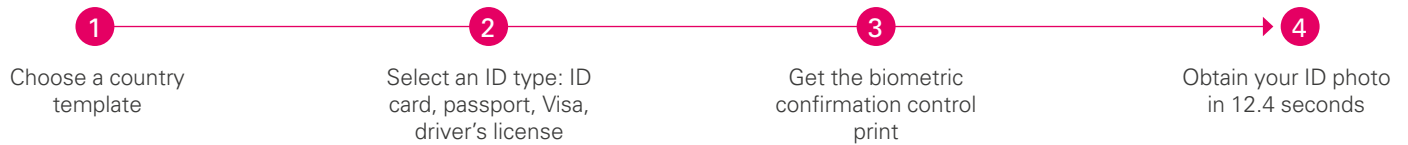
- Print photos from camera or file
- Save both original and resized image
- Save to USB key, send to email

## EXCLUSIVE MEDIA

- 350 prints/box, 4x6" (10x15cm)
- ID specific backprint



## GET ID PHOTOS IN 4 STEPS

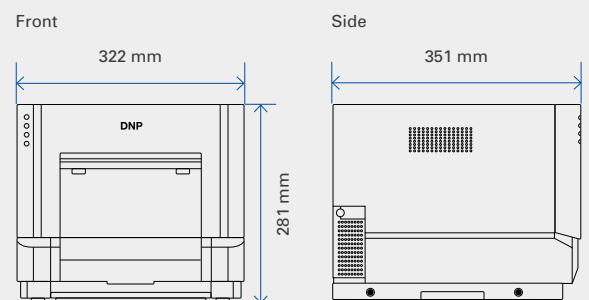


## SPECIFICATIONS

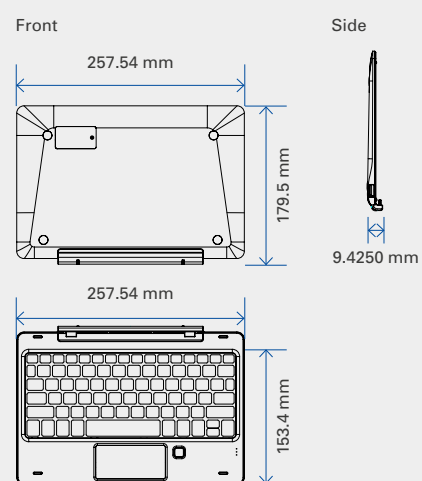
		ID+	
Product code	3698800		
	Tablet	PRINTER	
Dimensions	W257 x H173 x D9.3 mm	W322 x H281 x D351 mm	
Weight (approx.)	Tablet 530g (+ Keyboard 480g)	14kg	
Footprint	-	0,11m <sup>2</sup>	
Print technology	-	Dye-Sublimation thermal transfer	
Print finish	-	Glossy and Matte	
Print speed	-	12,4s for (4x6" 10x15cm)	
Screen size	10.1"	-	
Resolution	1920x1200 Full HD	300x300dpi (high speed mode) 300x600dpi (high quality mode)	
Touch panel	Capacitive 10-touch	-	
CPU	Intel Cherry trail Z8350 1.92 GHz	-	
Storage	64GB EMMC	-	
Operation system	Windows 10 IoT 64bit	-	
Camera	Front 2M - Back 5M auto focus	-	
Ports	Tablet: 1 Micro SD slot + 1 Type C USB port Keyboard : 2 Type A USB	USB 2.0	
Wifi	802.11b/g/n	-	
Power supply	AC adapter 5V 2A	AC 240V-100V, 50/60Hz 1.6A / 3.9 A	
Battery capacity	6000mah x 3.7V=22.2Wh	-	
External Camera Connectivity	Via flash air or cable	-	
Accessories	Digital pen + keyboard + OTG cable	-	

## TECHNICAL DRAWING

### ID600



### TABLET



## CONSUMABLES

Description	Product Code	Prints/box
ID600 4x6" (10x15cm)	102124	350, with ID Photo Back Print
ID600 4x6" (10x15cm)	102125	350, without Back Print



**DNP PHOTO IMAGING EUROPE**  
22, Avenue des Nations  
Immeuble Raphaël  
CS 51077 Villepinte  
95948 ROISSY C.D.G. Cedex  
FRANCE

Tel : +33 (0)1 49 38 65 50  
Fax : +33 (0)1 49 89 00 81  
[www.dnpphoto.eu](http://www.dnpphoto.eu)